

KorinWell Electronics Product Catalog

July 2007

About Us

KorinWell Electronics is a privately held, specialized designer and manufacturer of passive circuit products for wireless communication market.

KorinWell Electronics can supply an extensive line of microwave components with industry leading performance including power splitters, directional couplers, power tappers, hybrid couplers and RF loads. These products are employed as system components in commercial applications such as cellular wireless base stations, in-building wireless signal distribution, Security Wireless Coverage (Bands down to 380 MHz).

Features

- **3G Ready**
- **High Voltage Breakdown**
- **Choice of N or 7-16 mm connectors**
- **Moisture Sealed for outdoor use**
- **Rugged & Reliable**
- **High Power, Low Loss, Low VSWR**
- **Key Products Available from Stock**
- **Low Passive Intermodulation**
- **Bracket for pole or wall mounting available**
- **36 Month Warranty on All Components**

TABLE OF CONTENTS

Low Power Splitters	1
120-240MHZ, N-Connectors, 2 Ways	1
300-500MHZ N-Connectors, 2, 3 & 4 Ways	2
800-2500MHZ N-Connectors, 2, 3 & 4 Ways	3
Multi-band Low Loss Reactive Power Splitters	4
1700-2500MHZ N-Connectors, 2, 3 & 4 Ways	4
800-2500MHZ N-Connectors, 2, 3 & 4 Ways	5
800-2500MHZ DIN-Connectors, 2, 3 & 4 Ways	6
700-2700MHZ DIN-Connectors, 4 Ways	7
Directional Couplers, Low-Loss Stripline Coupler	8
120-240MHZ, 6 & 10dB N-Connectors	8
300-500MHZ, 6-30dB N-Connectors	9
800-2500MHZ, 5-20dB N & 7/16 Din-Connectors	10
800-2500MHZ, 25-30dB N & 7/16 Din-Connectors	11
3dB Hybrid Coupler/Combiner	12
120-240MHz, N Connectors, 30dB Isolation, Minimum	12
300-500MHz, N Connectors, 35dB Isolation, Minimum	13
800-960MHz, N & 7/16 Din-Connectors, 35dB Isolation, Minimum	14
800-2500MHz, N & 7/16 Din-Connectors, 25dB Isolation, Minimum	15
1700-2500MHz, N & 7/16 Din-Connectors, 30dB Isolation, Minimum	16
Network Combiner	17
4X4 Hybrid Matrix, Combiner & Splitter, 800-2200MHz, N & 7/16 Din-Connectors	17
Multi-Band Low Loss Power Tappers	18
Unequal Power Splitters, 800-2500MHz, N-Connectors	18
Coaxial Loads, Low & Medium Power Terminations	19
DC-6000MHz, 50ohms	19
TERMS AND CONDITIONS	20

Low Power Splitters
120-240MHZ, N-Connectors, 2 Ways

- 50Watt Average Power
- 20dB Isolation, Min
- Minimal RF Insertion Loss
- High Reliability
- Environment IP65
- N Female Connectors

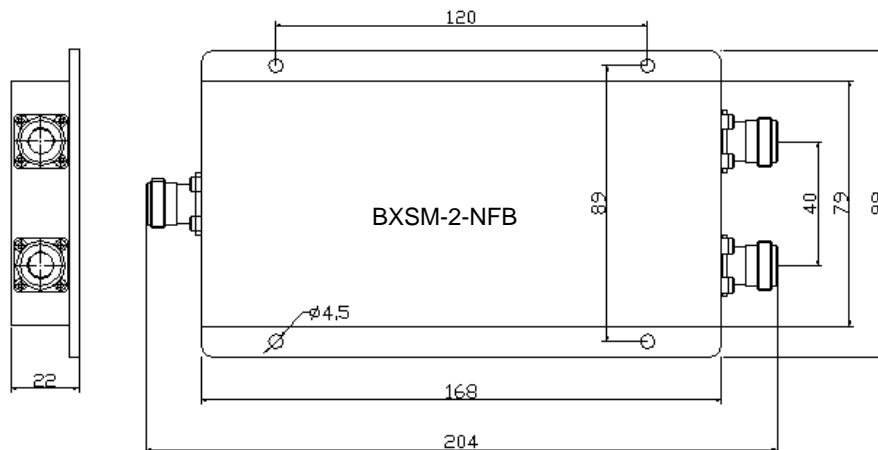
The BXSM series of Low Power Splitters is designed to evenly split power cellular signals with minimal reflections or loss. All of them are conformance to IP65 specification. Its mechanical shape allows to be fixed on the wall or the pole easily.

This device allows use with antennas and leaky cable systems and wireless base stations.

VSWR:	1.20:1 Max.
Power Rating:	50W, Avg
Isolation:	20dB min
Impedance:	50 ohm
Temperature, C	-25° to +75°
Environment:	IP65, RoHS compliant
Housing:	Passivated Aluminum or powder paint
Connectors:	N (f) tri-plate
DC capability:	DC transmission only between all ports

PN.	Frequency Band, MHz	Split	Insertion Loss dB Max	Split Loss, dB	Weight, g
BXSM-2-NFB	120~240	2	0.3	3	625

Dimensions, mm



All Specifications are subject to change without prior notice

- 50Watt Average Power
- 20dB Isolation, Min
- Minimal RF Insertion Loss
- High Reliability
- Environment IP65
- N Female Connectors

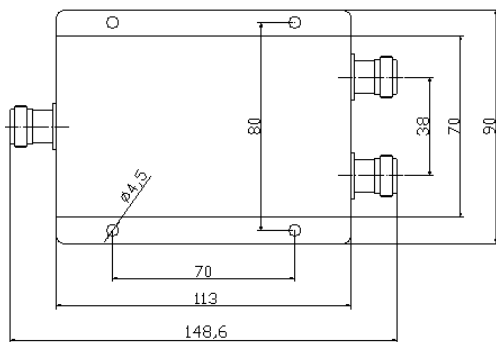
The BXSM series of Low Power Splitters is designed to evenly split power cellular signals with minimal reflections or loss. All of them are conformance to IP65 specification. Its mechanical shape allows to be fixed on the wall or the pole easily.

These devices allow use with antennas and leaky cable systems and wireless base stations.

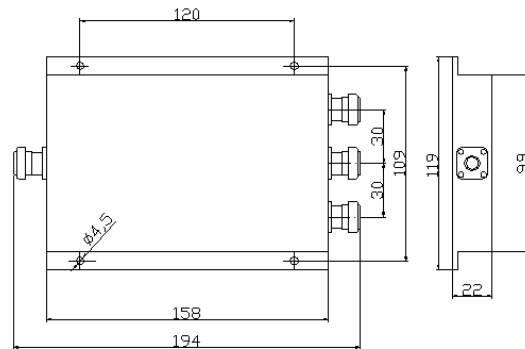
VSWR:	1.20:1 Max.
Power Rating:	50W, Avg
Isolation:	20dB min
Impedance:	50 ohm
Temperature, C	-25° to +75°
Environment:	IP65, RoHS compliant
Housing:	Passivated Aluminum or powder paint
Connectors:	N (f) tri-plate
DC capability:	DC transmission only between all ports

PN.	Frequency Band, MHz	Split	Insertion Loss dB Max	Split Loss, dB	Weight, g
BXSM-2-NFC	300~500	2	0.3	3	400
BXSM-3-NFC	300~500	3	0.5	4.8	720
BXSM-4-NFC	300~500	4	0.4	6	800

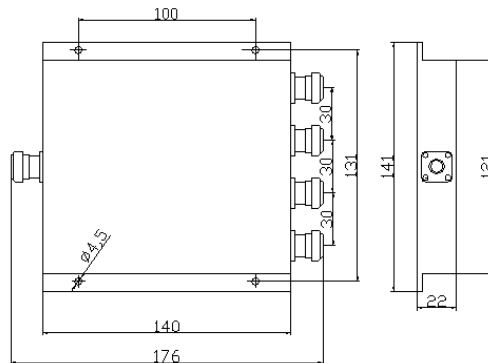
Dimensions, mm



BXSM-2-NFC



BXSM-3-NFC



BXSM-4-NFC

All Specifications are subject to change without prior notice

Low Power Splitters

800-2500MHZ N-Connectors, 2, 3 & 4 Ways



- Multiple-Band Frequency Range, Cellular, PCS, UMTS
- 50Watt Average Power
- 20dB Isolation, Min
- Minimal RF Insertion Loss
- High Reliability
- Environment IP65
- N Female Connectors



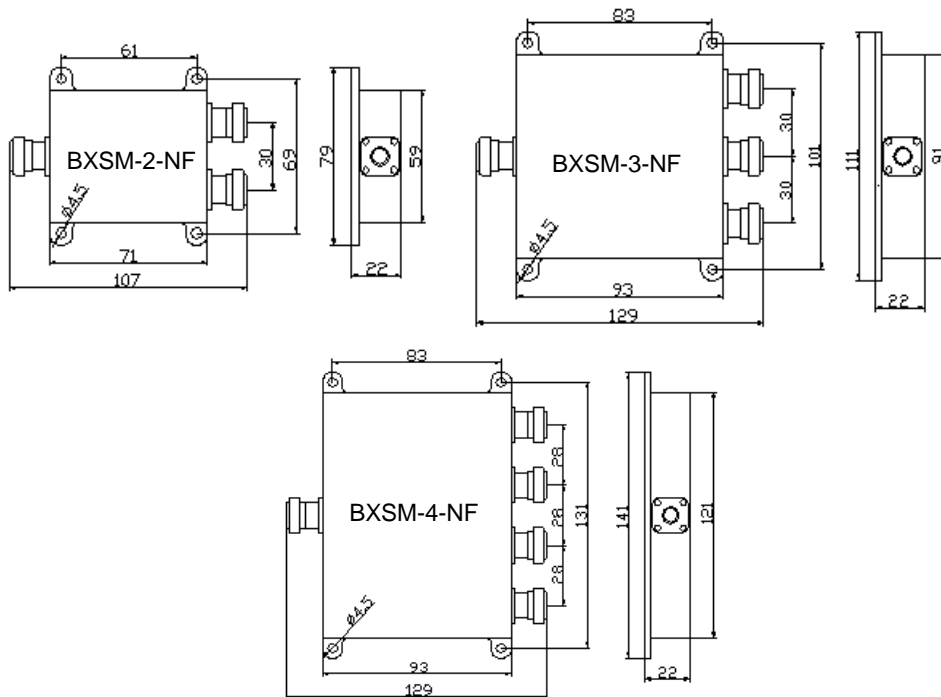
The BXSM series of Low Power Splitters is designed to evenly split power cellular signals with minimal reflections or loss. All of them are conformance to IP65 specification. Its mechanical shape allows to be fixed on the wall or the pole easily.

The ultra wide frequency range allows use with multi-band antennas and leaky cable systems and wireless base stations.

VSWR:	1.20:1 Max.
Power Rating:	50W, Avg
Isolation:	20dB min
PIM, Passive IM:	-140dBc, 2x43dBm
Impedance:	50 ohm
Temperature, C	-35° to +75°
Environment:	IP65, RoHS compliant
Housing:	Passivated Aluminum or powder paint
Connectors:	N (f) tri-plate
DC capability: DC transmission only between all ports	

PN.	Frequency Band, MHz	Split	Insertion Loss dB Max	Split Loss, dB	Weight, g
BXSM-2-NF	800-2500	2	0.3	3	240
BXSM-3-NF	800-2500	3	0.5	4.8	420
BXSM-4-NF	800-2500	4	0.4	6	600

Dimensions, mm



All Specifications are subject to change without prior notice

Multi-band Low Loss Reactive Power Splitters

1700-2500MHz N-Connectors, 2, 3 & 4 Ways



- Multiple-Band Frequency Range
- 300Watt Average Power
- Low Insertion Loss
- High Reliability
- Environment IP65
- N Female Connectors



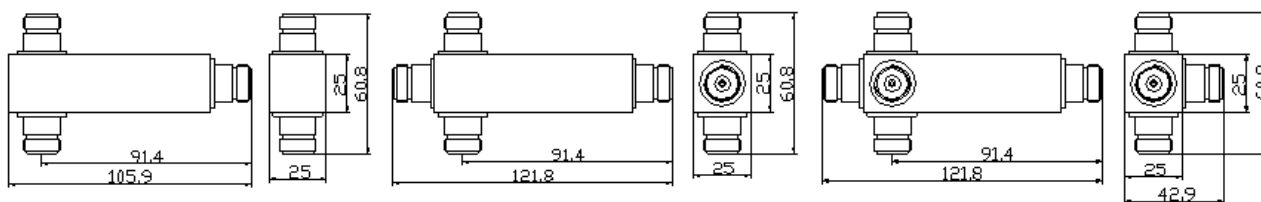
The BXS series of High Powers Splitter is designed to evenly split power cellular signals with minimal reflections or loss. Its reactive design employs no resistors eliminating their contribution to PIM and the potential of their damage. Designed with only screw joint and an air dielectric, the PIM and loss has been minimized and reliability enhanced. All of them are conformance to IP65 specification. Its mechanical shape allows to be fixed on the wall or the pole easily.

The ultra wide frequency range allows use with multiple-band antennas and leaky cable systems and wireless base stations.

VSWR:	1.2:1 Max.
Insertion Loss:	0.1dB, Max
Power Rating:	300W, avg; 1.5KW peak
PIM, Passive IM:	-150dBc, 2x43dBm
Input Impedance:	50 ohm
Temperature:	-35° to +75°
Environment:	IP65, RoHS compliant
Finish: Connectors:	N(f), Silver or tri-plate
Housing:	Passivated aluminum or powder paint
DC capability:	DC transmission only between all ports

PN.	Frequency Band, MHz	Split	Split Loss, dB	Weight, g
BXS-2-NFF	1700~2500	2	3	210
BXS-3-NFF	1700~2500	3	4.8	245
BXS-4-NFF	1700~2500	4	6	265

Dimensions, mm



BXS-2-NFF

BXS-3-NFF

BXS-4-NFF

All Specifications are subject to change without prior notice

Multi-band Low Loss Reactive Power Splitters
 800-2500MHz N-Connectors, 2, 3 & 4 Ways



- Multiple-Band Frequency Range,
Cellular, PCS, UMTS
- 300Watt Average Power
- Low Insertion Loss
- High Reliability
- Environment IP65
- N-female Connectors



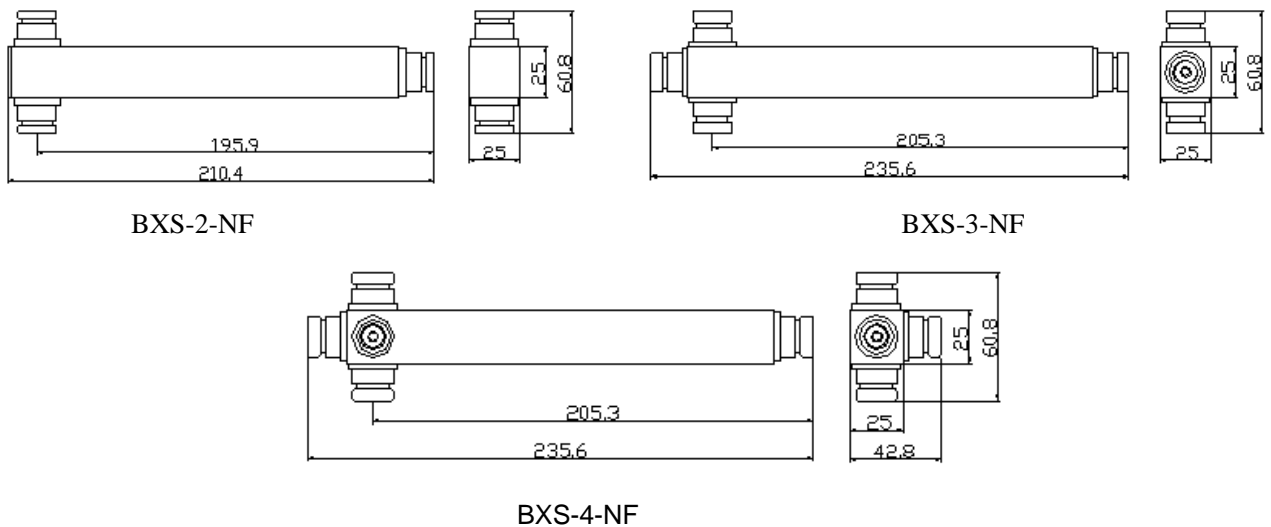
The BXS series of High Powers Splitter is designed to evenly split power cellular signals with minimal reflections or loss. Its reactive design employs no resistors eliminating their contribution to PIM and the potential of their damage. Designed with only screw joint and an air dielectric, the PIM and loss has been minimized and reliability enhanced. All of them are conformance to IP65 specification. Its mechanical shape allows to be fixed on the wall or the pole easily.

The ultra wide frequency range allows use with multiple-band antennas and leaky cable systems and wireless base stations.

- VSWR: 1.2:1 Max.
- Insertion Loss: 0.1dB, Max
- Power Rating: 300W, avg.; 1.5KW peak
- PIM, Passive IM: -150dBc, 2x43dBm
- Input Impedance: 50 ohm
- Temperature: -35° to +75°
- Environment: IP65, RoHS compliant
- Finish: Connectors: N (f), Silver or tri-plate
- Housing: Passivated aluminum or powder paint
- Mounting: Bracket for wall mounting included in the scope of supply.
- DC capability: DC transmission only between all ports

PN.	Frequency Band, MHz	Split	Split Loss, dB	Weight, g
BXS-2-NF	800~2500	2	3	380
BXS-3-NF	800~2500	3	4.8	440
BXS-4-NF	800~2500	4	6	470

Dimensions, mm



All Specifications are subject to change without prior notice

Multi-band Low Loss Reactive Power Splitters

800-2500MHz DIN-Connectors, 2, 3 & 4 Ways



- Multiple-Band Frequency Range, Cellular, PCS, UMTS
- 700Watt Average Power
- Low Insertion Loss
- High Reliability
- Environment IP65
- 7-16 DIN Female Connectors



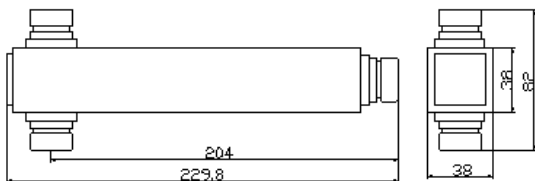
The BXS series of High Powers Splitter is designed to evenly split power cellular signals with minimal reflections or loss. Its reactive design employs no resistors eliminating their contribution to PIM and the potential of their damage. Designed with only screw joint and an air dielectric, the PIM and loss has been minimized and reliability enhanced. All of them are conformance to IP65 specification. Its mechanical shape allows to be fixed on the wall or the pole easily.

The ultra wide frequency range allows use with multiple-band antennas and leaky cable systems and wireless base stations.

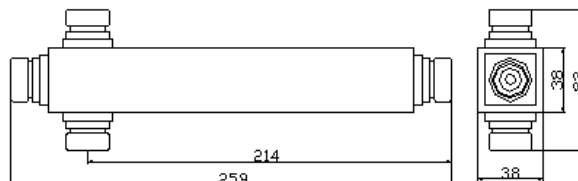
- VSWR: 1.2:1 Max.
- Insertion Loss: 0.1dB, Max
- Power Rating: 700W, avg; 1.5KW peak
- PIM, Passive IM: -150dBc, 2x43dBm
- Input Impedance: 50 ohm
- Temperature, C: -35° to +75°
- Environment: IP65, RoHS compliant
- Finish: Connectors: 7/16DIN(f), Silver or tri-plate
- Housing: Passivated aluminum or powder paint
- Mounting: Bracket for wall mounting included in the scope of supply.
- DC capability: DC transmission only between all ports

PN.	Frequency Band, MHz	Split	Split Loss, dB	Weight, g
BXS-2- DF	800~2500	2	3	1040
BXS-3- DF	800~2500	3	4.8	1240
BXS-4- DF	800~2500	4	6	1350

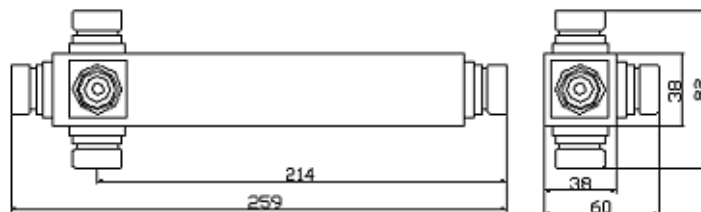
Dimensions, mm



BXS-2-DF



BXS-3-DF



BXS-4-DF

All Specifications are subject to change without prior notice

- Super Wideband Band Frequency Range, Cellular, PCS, UMTS & WiFi
- 300Watt Average Power
- Low Insertion Loss
- High Reliability
- Environment IP65
- N-female Connectors

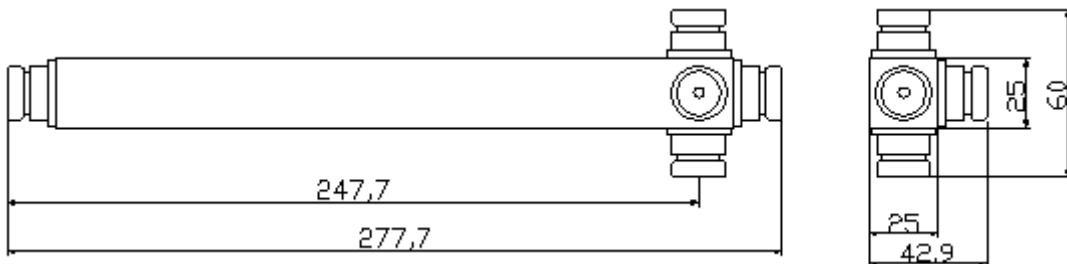
This super wideband High Powers Splitter is designed to evenly split power cellular signals with minimal reflections or loss. Its reactive design employs no resistors eliminating their contribution to PIM and the potential of their damage. Designed with only screw joint and an air dielectric, the PIM and loss has been minimized and reliability enhanced. All of them are conformance to IP65 specification. Its mechanical shape allows to be fixed on the wall or the pole easily.

The ultra wide frequency range allows use with multiple-band antennas and leaky cable systems and wireless base stations.

VSWR:	1.2:1 Max.
Insertion Loss:	0.1dB, Max
Power Rating:	300W, avg.; 1.5KW peak
PIM, Passive IM:	-150dBc, 2x43dBm
Input Impedance:	50 ohm
Temperature:	-35° to +75°
Environment:	IP65, RoHS compliant
Finish: Connectors:	N(f), Silver or tri-plate
Housing:	Passivated aluminum or powder paint
Mounting:	Bracket for wall mounting included in the scope of supply.
DC capability:	DC transmission only between all ports

PN.	Frequency Band, MHz	Split	Split Loss, dB	Weight, g
BXS-4-NFH	700~2700	4	6	550

Dimensions, mm



BXS-4-NFH

All Specifications are subject to change without prior notice

- 200Watt Average Main Line Power
- 20dB Isolation, Min
- Minimal RF Insertion Loss
- High Reliability
- Environment IP65
- N & Female Connectors

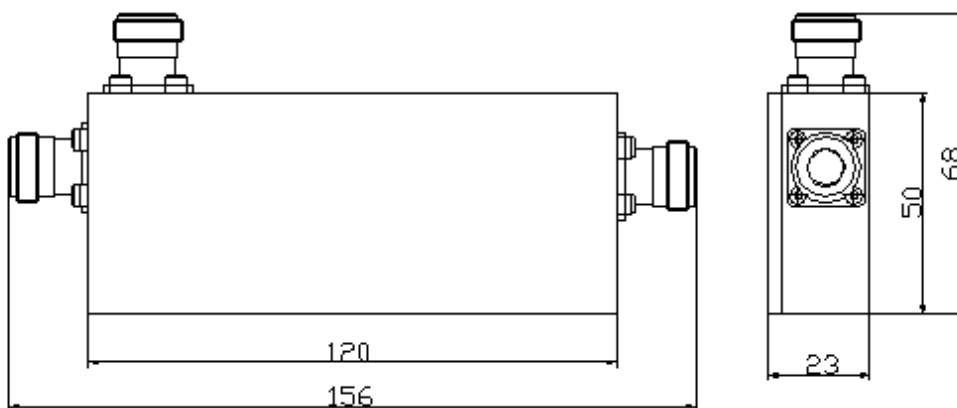
The BXDC series of Directional Couplers is a stripline design for indoor/outdoor applications. Units couple off a defined fraction of signal with minimal reflections or loss. All of them are conformance to IP65 specification. Its mechanical shape allows to be fixed on the wall or the pole easily.

These devices allow use with antennas and leaky cable systems and wireless base stations.

VSWR:	1.20:1 Max., All Ports
Isolation:	20dB Min.
Power Rating:	200W, avg.; 1.5KW peak
Impedance:	50 ohm, nominal
Temperature Range, C	-25° to +75°
Environment:	IP65, RoHS compliant
Housing:	Passivated Aluminum or powder paint
Connectors:	N (f), tri-plate
DC capability: DC transmission only between input and output	

PN.	Frequency Band, MHz	Coupling, dB	Mainline Loss dB Max.	Insertion Loss dB Max.	Reflected Power W Max.	Weight g
BXDC-6-NFB	120~240	-6±1.0	1.7	0.20	40	430
BXDC-10-NFB	120~240	-10±1.0	0.8	0.20	100	430

Dimensions, mm



BXDC- (6-10)-NFB

All Specifications are subject to change without prior notice

- 200Watt Average Main Line Power
- 20dB Isolation, Min
- Minimal RF Insertion Loss
- High Reliability
- Environment IP65
- N Female Connectors



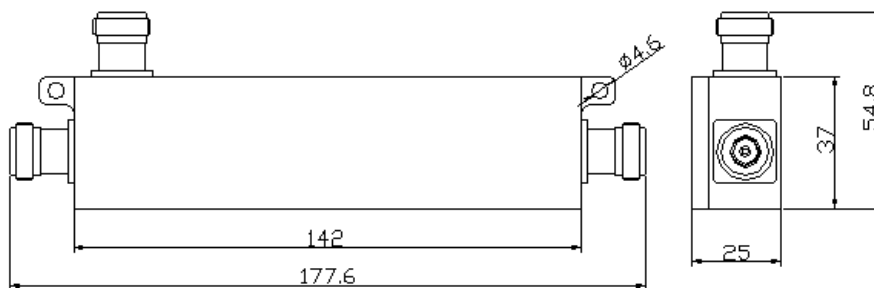
The BXDC series of Directional Couplers is a stripline design for indoor/outdoor applications. Units couple off a defined fraction of signal with minimal reflections or loss. All of them are conformance to IP65 specification. Its mechanical shape allows to be fixed on the wall or the pole easily.

These devices allow use with antennas and leaky cable systems and wireless base stations.

VSWR:	1.20:1 Max., All Ports
Isolation:	20dB Min.
Power Rating:	200W, avg.; 1.5KW peak
Impedance:	50 ohm, nominal
Temperature Range, C	-25° to +75°
Environment:	IP65, RoHS compliant
Housing:	Passivated Aluminum or powder paint
Connectors:	N (f), tri-plate
DC capability: DC transmission only between input and output	

PN.	Frequency Band, MHz	Coupling, dB	Mainline Loss dB Max.	Insertion Loss dB Max.	Reflected Power W Max.	Weight g
BXDC-6-NFC	300~500	-6±1.0	1.7	0.20	40	440
BXDC-10-NFC	300~500	-10±1.0	0.8	0.20	100	440
BXDC-15-NFC	300~500	-15±1.0	0.4	0.20	200	440
BXDC-20-NFC	300~500	-20±1.0	0.22	0.20	200	440
BXDC-30-NFC	300~500	-30±1.0	0.20	0.20	200	440

Dimensions, mm



BXDC- (6-30)-NFC

All Specifications are subject to change without prior notice

Directional Couplers, Low-Loss Stripline Coupler
800-2500MHZ, 5-20dB N & 7/16 Din-Connectors



- Multiple-Band Frequency Range, Cellular, PCS, UMTS
- 200Watt Average Main Line Power
- 20dB Directivity, Min
- Minimal RF Insertion Loss
- High Reliability
- Low Passive Intermodulation (PIM)
- Environment IP65
- N & 7/16 Din Female Connectors



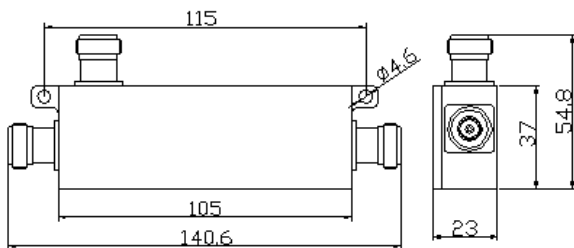
The BXDC series of Directional Couplers is a stripline design for indoor/outdoor applications covering all the wireless services from 800 to 2500MHz. Units couple off a defined fraction of signal with minimal reflections or loss. All of them are conformance to IP65 specification. Its mechanical shape allows to be fixed on the wall or the pole easily.

The ultra wide frequency range allows use with multi-band antennas and leaky cable systems and wireless base stations.

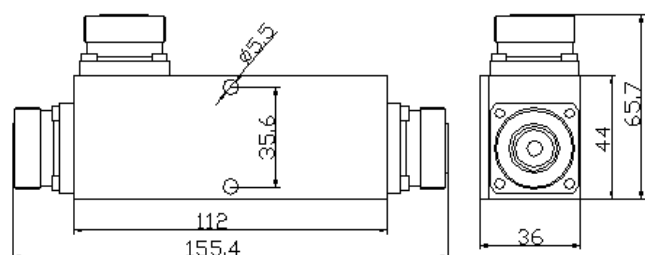
VSWR: 1.20:1 Max., All Ports
 Directivity: 20dB Min.
 Power Rating: 200W, avg.; 1.5KW peak
 PIM, Passive IM: -140dBc, 2x43dBm
 Impedance: 50 ohm, nominal
 Temperature Range, C -25° to +75°
 Environment: IP65, RoHS compliant
 Housing: Passivated Aluminum or powder paint
 Connectors: N (f), 7/16 Din tri-plate
 DC capability: DC transmission only between input and output
 PIM < -150dBc to special order

PN.	Frequency Band, MHz	Coupling, dB	Mainline Loss dB Max.	Insertion Loss dB Max.	Reflected Power W Max.	Weight g
BXDC-5-NF/DF	800~2500	-5±0.8	2.3	0.25	30	300/750
BXDC-6-NF/DF	800~2500	-6±0.8	1.7	0.25	40	300/750
BXDC-7-NF/DF	800~2500	-7±0.8	1.5	0.25	50	300/750
BXDC-8-NF/DF	800~2500	-8±0.8	1.2	0.25	70	300/750
BXDC-10-NF/DF	800~2500	-10±1.0	0.8	0.20	100	300/750
BXDC-13-NF/DF	800~2500	-13±1.0	0.5	0.20	200	300/750
BXDC-15-NF/DF	800~2500	-15±1.0	0.4	0.20	200	300/750
BXDC-20-NF/DF	800~2500	-20±1.0	0.22	0.20	200	300/750

Dimensions, mm



BXDC- (5-20)-NF



BXDC- (5-20)-DF

All Specifications are subject to change without prior notice

KorinWell Electronics, Inc, 1-111, 52 MUXUYUAN Road, NANJING, 210007 CHINA
 TEL: +86 25 8485 2620 FAX: +86 25 8485 2630 www.korinwell.com sales@korinwell.com

Directional Couplers, Low-Loss Stripline Coupler
800-2500MHZ, 25-30dB N & 7/16 Din-Connectors



- Multiple-Band Frequency Range, Cellular, PCS, UMTS
- 200Watt Average Main Line Power
- 20dB Isolation, Min
- Minimal RF Insertion Loss
- High Reliability
- Low Passive Intermodulation (PIM)
- Environment IP65
- N & 7/16 Din Female Connectors



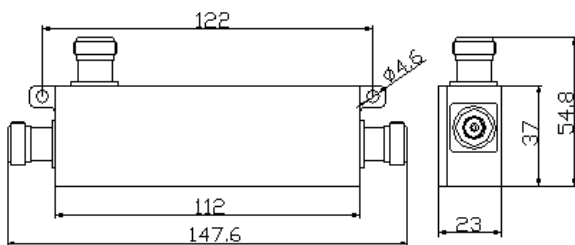
The BXDC series of Directional Couplers is a stripline design for indoor/outdoor applications covering all the wireless services from 800 to 2500MHz. Units couple off a defined fraction of signal with minimal reflections or loss. All of them are conformance to IP65 specification. Its mechanical shape allows to be fixed on the wall or the pole easily.

The ultra wide frequency range allows use with multi-band antennas and leaky cable systems and wireless base stations.

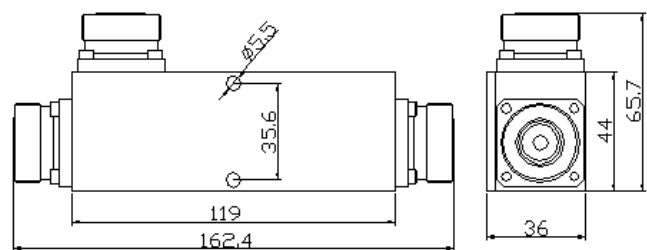
VSWR:	1.20:1 Max., All Ports
Isolation:	20dB Min.
Power Rating:	200W, avg.; 1.5KW peak
PIM, Passive IM:	-140dBc, 2x43dBm
Impedance:	50 ohm, nominal
Temperature Range, C	-25° to +75°
Environment:	IP65, RoHS compliant
Housing:	Passivated Aluminum or powder paint
Connectors:	N (f), 7/16 Din tri-plate
DC capability:	DC transmission only between input and output
PIM <	-150dBc to special order

PN.	Frequency Band, MHz	Coupling, dB	Mainline Loss dB Max.	Insertion Loss dB Max.	Reflected Power W Max.	Weight g
BXDC-25-NF/DF	800~2500	-25±1.0	0.20	0.20	200	350/850
BXDC-30-NF/DF	800~2500	-30±1.0	0.20	0.20	200	350/850

Dimensions, mm



BXDC- (25,30)-NF



BXDC- (25,30)-DF

All Specifications are subject to change without prior notice

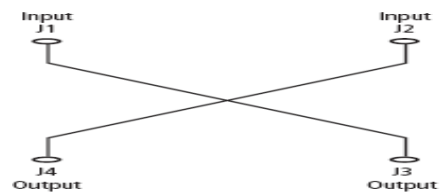
3dB Hybrid Coupler/Combiner
120-240MHz, N Connectors, 30dB Isolation, Minimum

- 200Watt Average Power Rating
- 30dB Isolation, Min
- Minimal RF Insertion Loss
- High Reliability
- Environment IP65
- N Female Connectors

The BXH series of 3dB Hybrid Couplers is designed to meet the special requirement of wireless market. It can combine two channels from different service supplier to a single antenna or distribution cable. This requires the termination of one output port in the 50 ohm and results in a 3dB loss in each signal. In situations where two similar feeds are required, for example an in-building application, both outputs may be used, eliminating the need for a termination and the 3dB loss. All of them are conformance to IP65 specification.

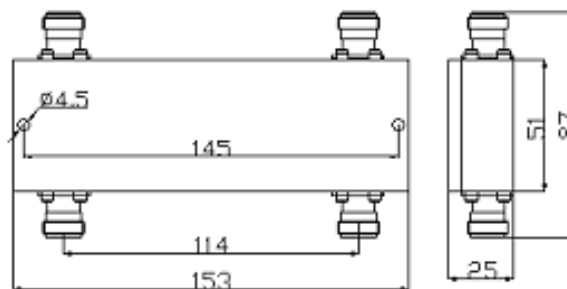
This device allows use with antennas and leaky cable systems and wireless base stations.

VSWR: 1.20:1 Max. All Ports
 Coupling: 3dB, nominal
 Coupling Variation: ± 0.5 dB
 Impedance: 50 ohm, nominal
 Temperature Range, C: -25° to $+75^{\circ}$
 Environment: IP65, RoHS compliant
 Housing: Passivated Aluminum or powder paint
 Connectors: N (f), tri-plate
 DC capability: DC transmission only between cross ports



PN.	Frequency Range, MHz	Input Isolation dB Min.	Insertion Loss dB Max.	Power Rating W Avg.	Weight g.
BXH-3-NFB	120~240	30	0.2	200	700

Dimensions, mm



BXH- 3-NFB

All Specifications are subject to change without prior notice

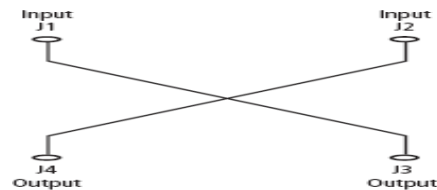
3dB Hybrid Coupler/Combiner
 300-500MHz, N Connectors, 35dB Isolation, Minimum

- 200Watt Average Power Rating
- 35dB Isolation, Min
- Minimal RF Insertion Loss
- High Reliability
- Environment IP65
- N Female Connectors

The BXH series of 3dB Hybrid Couplers is designed to meet the special requirement of wireless market. It can combine two channels from different service supplier to a single antenna or distribution cable. This requires the termination of one output port in the 50 ohm and results in a 3dB loss in each signal. In situations where two similar feeds are required, for example an in-building application, both outputs may be used, eliminating the need for a termination and the 3dB loss. All of them are conformance to IP65 specification.

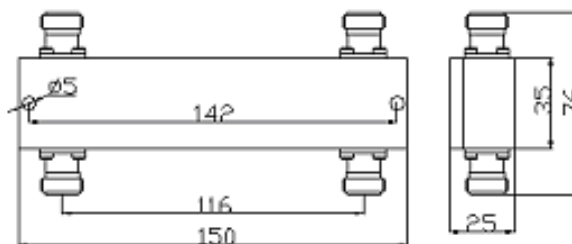
This device allows use with antennas and leaky cable systems and wireless base stations.

VSWR: 1.20:1 Max. All Ports
 Coupling: 3dB, nominal
 Coupling Variation: $\pm 0.4\text{dB}$
 Impedance: 50 ohm, nominal
 Temperature Range, C: -25° to $+75^{\circ}$
 Environment: IP65, RoHS compliant
 Housing: Passivated Aluminum or powder paint
 Connectors: N (f), tri-plate
 DC capability: DC transmission only between cross ports



PN.	Frequency Range, MHz	Input Isolation dB Min.	Insertion Loss dB Max.	Power Rating W Avg.	Weight g.
BXH-3-NFC	300~500	35	0.2	200	480

Dimensions, mm



BXH- 3-NFC

All Specifications are subject to change without prior notice

3dB Hybrid Coupler/Combiner

800-960MHz, N & 7/16 Din-Connectors, 35dB Isolation, Minimum



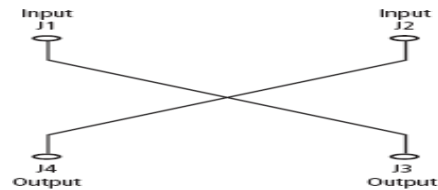
- 200Watt Average Power Rating
- 35dB Isolation, Min
- Minimal RF Insertion Loss
- High Reliability
- Low Passive Intermodulation (PIM)
- Environment IP65
- N & 7/16 Din Female Connectors



The BXH series of 3dB Hybrid Couplers is designed to meet the special requirement of wireless market. It can combine two channels from different service supplier to a single antenna or distribution cable. This requires the termination of one output port in the 50 ohm and results in a 3dB loss in each signal. In situations where two similar feeds are required, for example an in-building application, both outputs may be used, eliminating the need for a termination and the 3dB loss. All of them are conformance to IP65 specification.

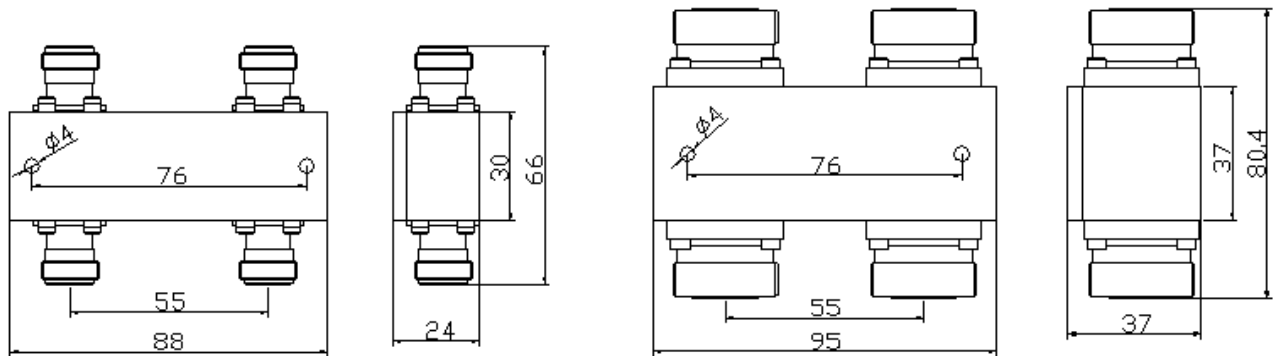
These devices allow use with antennas and leaky cable systems and wireless base stations.

VSWR:	1.20:1 Max. All Ports
Coupling:	3dB, nominal
Coupling Variation:	±0.3dB
PIM, Passive IM:	-140dBc, 2x43dBm
Impedance:	50 ohm, nominal
Temperature Range, C	-25° to +75°
Environment:	IP65, RoHS compliant
Housing:	Passivated Aluminum or powder paint
Connectors:	N (f), 7/16 Din tri-plate
DC capability:	DC transmission only between cross ports



PN.	Frequency Range, MHz	Input Isolation dB Min.	Insertion Loss dB Max.	Power Rating W Avg.	Weight g.
BXH-3-NFE	800~960	35	0.2	200	230
BXH-3-DFE	800~960	35	0.2	200	640

Dimensions, mm



BXH- 3-NFE

BXH- 3-DFE

All Specifications are subject to change without prior notice

Multi-Band Hybrid Coupler/Combiner

800-2500MHz, N & 7/16 Din-Connectors, 25dB Isolation, Minimum



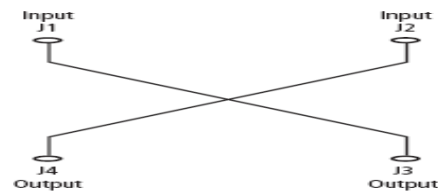
- Multiple-Band Frequency Range, Cellular, PCS, UMTS
- 120Watt Average Power Rating
- 25dB Isolation, Min
- Minimal RF Insertion Loss
- High Reliability
- Low Passive Intermodulation (PIM)
- Environment IP65
- N & 7/16 Din Female Connectors



The BXH series of 3dB Hybrid Couplers is designed to meet the special requirement of wireless market. It can combine two channels from different service supplier to a single antenna or distribution cable. This requires the termination of one output port in the 50 ohm and results in a 3dB loss in each signal. In situations where two similar feeds are required, for example an in-building application, both outputs may be used, eliminating the need for a termination and the 3dB loss. All of them are conformance to IP65 specification.

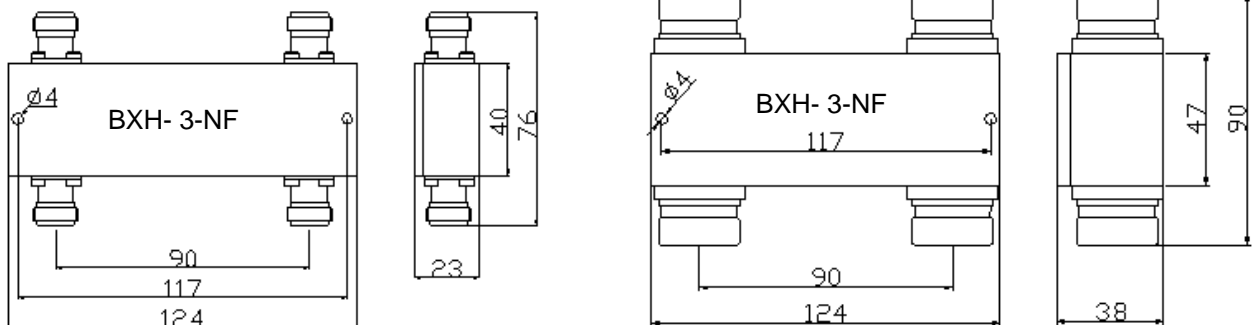
The ultra wide frequency range allows use with multi-band antennas and leaky cable systems and wireless base stations.

VSWR:	1.20:1 Max. All Ports
Coupling:	3.1 ± 0.2dB
Coupling Variation:	± 0.3dB
PIM, Passive IM:	-140dBc, 2x43dBm
Impedance:	50 ohm, nominal
Temperature Range, C	-25° to +75°
Environment:	IP65, RoHS compliant
Housing:	Passivated Aluminum or powder paint
Connectors:	N (f), 7/16 Din tri-plate
DC capability:	DC transmission only between cross ports
PIM < -150dBc	to special order



PN.	Frequency Range, MHz	Input Isolation dB Min.	Insertion Loss dB Max.	Power Rating W Avg.	Weight g.
BXH-3-NF	800~2500	25	0.25	120	420
BXH-3-DF	800~2500	25	0.25	120	840

Dimensions, mm



All Specifications are subject to change without prior notice

Multi-Band Hybrid Coupler/Combiner
1700-2500MHz, N & 7/16 Din-Connectors, 30dB Isolation, Minimum

KorinWell™

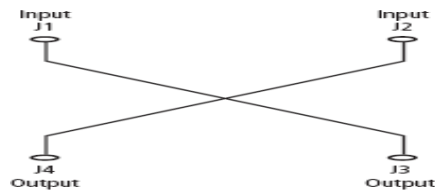
- 200Watt Average Power Rating
- 30dB Isolation, Min
- Minimal RF Insertion Loss
- High Reliability
- Environment IP65
- N & 7/16 Din Female Connectors



The BXH series of 3dB Hybrid Couplers is designed to meet the special requirement of wireless market. It can combine two channels from different service supplier to a single antenna or distribution cable. This requires the termination of one output port in the 50 ohm and results in a 3dB loss in each signal. In situations where two similar feeds are required, for example an in-building application, both outputs may be used, eliminating the need for a termination and the 3dB loss. All of them are conformance to IP65 specification.

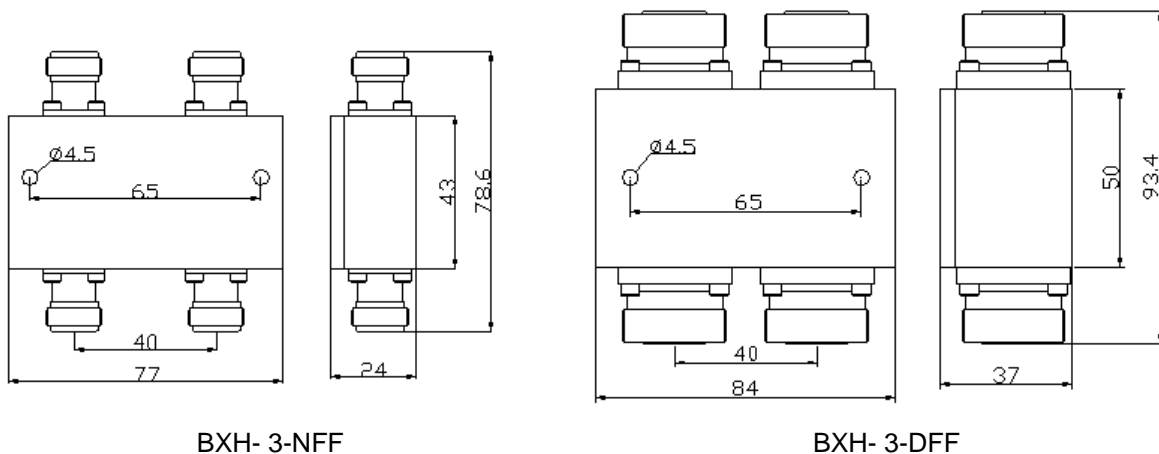
The wide frequency range allows use with multi-band antennas and leaky cable systems and wireless base stations.

VSWR: 1.20:1 Max. All Ports
 Coupling: 3dB, nominal
 Coupling Variation: ± 0.3 dB
 Impedance: 50 ohm, nominal
 Temperature Range, C: -25° to $+75^{\circ}$
 Environment: IP65, RoHS compliant
 Housing: Passivated Aluminum or powder paint
 Connectors: N (f), 7/16 Din tri-plate
 DC capability: DC transmission only between cross ports



PN.	Frequency Range, MHz	Input Isolation dB Min.	Insertion Loss dB Max.	Power Rating W Avg.	Weight g.
BXH-3-NFF	1700~2500	30	0.2	200	300
BXH-3-DFE	1700~2500	30	0.2	200	790

Dimensions, mm



All Specifications are subject to change without prior notice

Network Combiner

4X4 Hybrid Matrix, Combiner & Splitter, 800-2200MHz, N & 7/16 Din-Connectors



- Connects 4 input to 4 output for shared system
- High Isolation, low VSWR
- High Average power rating
- Low PIM
- High reliability
- N or Din female connectors



The hybrid is a matrix of four 3dB hybrid couplers arranged. Signals applied to any of four input port will be split equally between four output ports. Because of symmetry, multiple signals in the same wireless band can be combined to common feeder cable, as might be required in a system shared in-building distributed antenna system. Unused ports must be terminated externally in 50ohm.

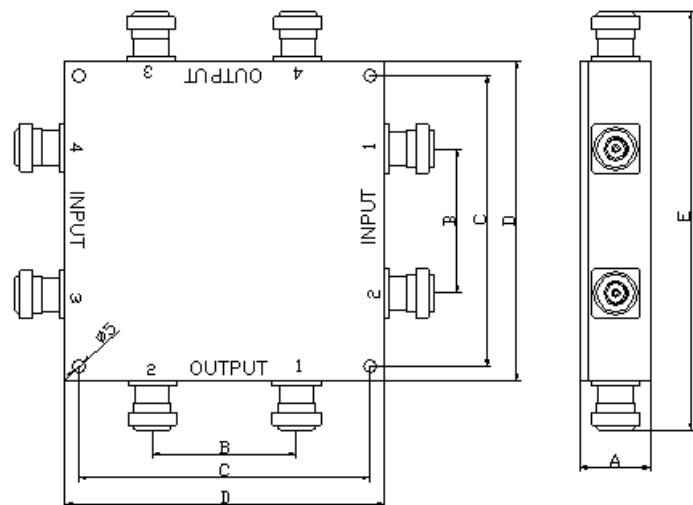
The hybrid provides excellent isolation in the wireless bands and minimize passive intermodulation(PIM). All of them are moisture sealed for outside applications. They are conformance to Ip65 specification.

Impedance: 50 ohm, nominal
 Temperature Range, C -25° to +75°
 Environment: IP65, RoHS compliant
 PIM, Passive IM:: -140dBc, 2X43dBm
 Finish:
 Housing: Passivated Aluminum or powder paint
 Connectors: N (f), 7/16 Din tri-plate
 PIM < -150dBc to special order

Part Number		Frequency	Coupling	Isolation	Input	Input Power per Input		Weight
N conn	7/16 Din conn	Range, MHz	dB	dB	VSWR	Avg, Watts	Peak, Watts	kg
BXH-4X4-NA	None	800-960	6.1±0.4	>30	<1.10:1	100	3K	1.1
BXH-4X4-NB	None	1700-2200	6.1±0.4	>30	<1.10:1	100	3K	1.1
BXH-4X4-NC	BXH-4X4-DC	800-2200	6.2±0.5	>25	<1.20:1	60	3K	1.7(N)/3.1(DIN)

Dimensions, mm

Drawing	A	B	C	D	E
BXH-4X4-NA	25.4	52	105	115	151
BXH-4X4-NB	25.4	52	105	115	151
BXH-4X4-NC	25.4	85	137	147	183
BXH-4X4-DC	36	85	144	154	196



All Specifications are subject to change without prior notice.

Multi-Band Low Loss Power Tappers
 Unequal Power Splitters, 800-2500MHz, N-Connectors



- Multiple-Band Frequency Range, Cellular, PCS, UMTS
- 200Watt Average Power Rating
- Minimal RF Insertion Loss
- High Reliability
- Low Passive Intermodulation (PIM)
- Environment IP65
- N Female Connectors



The BXT series of power tappers unevenly split high power cellular signals from 5dB to 50dB with minimal reflections or loss over the whole 800-2500MHz band. Designed with only screw joint and an air dielectric, the PIM and loss is minimized and reliability enhanced. All of them are conformance to IP65 specification. Its mechanical shape allows to be fixed on the wall or the pole easily.

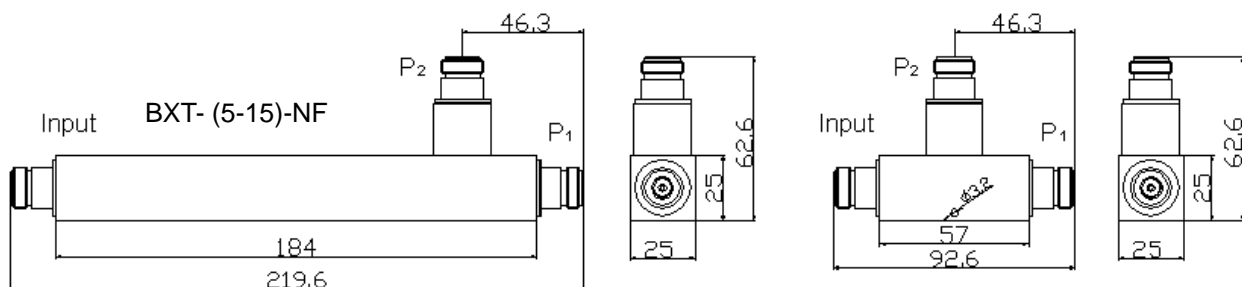
The ultra wide frequency range allows use with multi-band antennas and leaky cable systems and wireless base stations.

Power Rating:	200W, avg. 1.5KW peak
PIM, Passive IM:	-150dBc, 2x43dBm
Impedance:	50 ohm, nominal
Temperature Range, C	-25° to +75°
Environment:	IP65, RoHS compliant
Housing:	Passivated Aluminum or powder paint
Connectors:	N (f), tri-plate

DC capability: DC transmission only between input and port P1
 P2 is coupled capacitive.

PN.	Frequency Range, MHz	Tap Loss, dB Input↔P2	Tap Loss, dB Input↔P1	VSWR Max.	Weight g.
BXT-5-NF	800~2500	-5±0.8	-1.65±0.5	1.35:1	370
BXT-6-NF	800~2500	-6±0.8	-1.26±0.4	1.35:1	370
BXT-7-NF	800~2500	-7±0.8	-1±0.3	1.35:1	370
BXT-10-NF	800~2500	-10±1.0	-0.46±0.3	1.35:1	370
BXT-15-NF	800~2500	-15±1.2	-0.2±0.2	1.35:1	370
BXT-20-NF	800~2500	-20±1.5	-0.1±0.1	1.15:1	180
BXT-25-NF	800~2500	-25±1.5	-0.1±0.1	1.15:1	180
BXT-30-NF	800~2500	-30±1.5	-0.1±0.1	1.15:1	180
BXT-40-NF	800~2500	-40±1.5	-0.1±0.1	1.15:1	180
BXT-50-NF	800~2500	-50±1.5	-0.1±0.1	1.15:1	180

Dimensions, mm



All Specifications are subject to change without prior notice

BXT- (20-50)-NF

- Resistive Film Load
- Finned Termination
- Ideal for Wireless Communication
- Powers 2W to 50W
- VSWR to 1.15:1
- High Reliability



The BXL series terminations are medium power coaxial loads, which operate from DC to 6GHz. Cooling fins minimize temperature rise of the resistive film terminating element, contained within a carefully matched housing.

Standard connectors are N and 7-16 mm DIN, male or female.

Impedance: 50 ohm, nominal
Peak power, kW 5 peak
Temperature Range, C -35° to +125°
Finish

Connectors:

Inner Layer: Silver Plate

Outer Layer: Tri-plate

Housing: Black oxidation

PN.	Frequency Range, GHz	Connector Type	Connector Gender	Power Rating	VSWR (max)	Weight (g)	Length*, (mm)	Cross Section (mm)
BXL-2-NM	DC~3GHz	N	Male	2W	1.15	52	40	18
BXL-2-NMA	DC~6GHz	N	Male	2W	1.15	52	40	18
BXL-5-NM	DC~3GHz	N	Male	5W	1.15	55	53	20
BXL-5-NMA	DC~6GHz	N	Male	5W	1.15	55	53	20
BXL-10-NM	DC~3GHz	N	Male	10W	1.15	130	60	35
BXL-10-NF	DC~3GHz	N	Female	10W	1.15	130	60	35
BXL-10-DM	DC~3GHz	Din	Male	10W	1.15	190	67	35
BXL-10-DF	DC~3GHz	Din	Female	10W	1.15	190	65	35
BXL-20-NM	DC~3GHz	N	Male	20W	1.15	160	78	35
BXL-20-NF	DC~3GHz	N	Female	20W	1.15	160	78	35
BXL-20-DM	DC~3GHz	Din	Male	20W	1.15	190	87	35
BXL-20-DF	DC~3GHz	Din	Female	20W	1.15	190	86	35
BXL-30-NM	DC~3GHz	N	Male	30W	1.15	270	137	40
BXL-30-NF	DC~3GHz	N	Female	30W	1.15	270	136	40
BXL-30-DM	DC~3GHz	Din	Male	30W	1.15	330	140	40
BXL-30-DF	DC~3GHz	Din	Female	30W	1.15	330	138	40
BXL-50-NM	DC~3GHz	N	Male	50W	1.15	390	137	50
BXL-50-NF	DC~3GHz	N	Female	50W	1.15	390	136	50
BXL-50-DM	DC~3GHz	Din	Male	50W	1.15	450	140	50
BXL-50-DF	DC~3GHz	Din	Female	50W	1.15	450	138	50

All Specifications are subject to change without prior notice

KorinWell Electronics, Inc, 1-111, 52 MUXUYUAN Road, NANJING, 210007 CHINA
TEL: +86 25 8485 2620 FAX: +86 25 8485 2630 www.korinwell.com sales@korinwell.com

TERMS AND CONDITIONS

QUOTATIONS

Unless otherwise specified, all quotations are valid for a period of 60 days subject to change based on availability of materials at order inception.

HOW TO ORDER

When placing an order, please include the model number, product description, frequency range and shipping instructions. If possible, the purchase order should refer to KorinWell quotation number or any reference subjects.

ACCEPTANCE OF ORDER

Orders can be placed either by fax or attached document by e-mail. KorinWell will confirm the receipt of all orders by sending the proforma invoice within 3 working days.

TERMS OF PAYMENT

All prices are F.O.B. Nanjing unless otherwise specified. Full payment in advance by wire transfer is required. KorinWell will confirm the delivery date immediately when the notification of the payment is confirmed by the banker.

SHIPPING

All shipments will normally be made by air freight, KorinWell will choose the most appropriate courier or freight forwarder unless otherwise specified by the customer when placing the order.

CHANGE ORDERS AND CANCELLATIONS

Change in orders regarding price, quantities, delivery or other conditions will be effective after mutual agreement had been affirmed in written document between the customer and KorinWell.

Cancellation of any accepted order can only be made after written consent of KorinWell. All cancellation will be dependent upon customer's agreement to satisfy all costs incurred by KorinWell and its proportionate profit on all work complete. KorinWell will endeavor to stop work promptly upon notification of cancellation.

WARRANTY

KorinWell warrants all products to be free of defects in material or faulty workmanship for a period of 36 months from invoice date. The warranty does not apply to products that have been disassembled, modified, physically or electrically damaged or misuse.

RETURN ON MATERIAL

Material returned for rework or replacement shall be in accordance with the terms and conditions set forth under the warranty. Complete information should be provided with the shipment giving a detailed description of the reason for the products returned, date and number of original purchase order, the products model and serial number and the address to which the material is to be reshipped. KorinWell will issue RMA (Returned on Material Acceptance) to the customer as the confirmation and guideline of returning process.

Material returned as defective and found to meet the original specifications will be subject to a normal handling to cover the cost of reinspection and retesting.